

Origo™ Mig/Mag C 170, 171, 200, 201, 250, 251

Compact units for Light/Medium Duty and commercial use



- Power Smoothing Device™ - excellent welding properties for single-phase units
- Simple polarity changing - allows the use of solid wire and filler wire

- Also suitable for the welding of aluminium and GMA brazing of galvanized metal sheets
- IP 23 - allows use outdoors
- Simple setting of the welding parameters
- MXL™ torches - stable and long-lived professional torch for compact units

Technical data	Origo™ Mig C170	Origo™ Mag C171	Origo™ Mig C200	Origo™ Mag C201	Origo™ Mig C250	Origo™ Mag C251
Mains supply, V / ph	400 / 3	230 / 1	400 / 3	230 / 1	400 / 3	230 / 1
Fuse, slow, A	10	16	10	20	16	35
Setting range, A	30 - 170	30 - 170	30 - 200	30 - 200	40 - 280	40 - 250
Burn-back time, sec	0,02 - 0,25	0,02 - 0,25	0,02 - 0,25	0,02 - 0,25	0,02 - 0,25	0 - 0,25
Spot welding time, sec	0,2 - 2,5	0,2 - 2,5	0,2 - 2,5	0,2 - 2,5	0,2 - 2,5	0,2 - 2,5
Voltage steps	8	8	10	12	10	12
Polarity change	yes (optional)	yes	yes	yes	yes	yes
Dimensions, LxWxH, mm	860 x 420 x 730	860 x 420 x 730	860 x 420 x 730	860 x 420 x 730	860 x 420 x 730	860 x 420 x 730
Weight, kg	63,5	59	72,5	68	82	94
Spool type, Ømm/kg	300 / 18	300 / 18	300 / 18	300 / 18	300 / 18	300 / 18
Enclosure class	IP 23	IP 23	IP 23	IP 23	IP 23	IP 23
Application class	S	S	S	S	S	S

Maximum output at 40°C

20% duty cycle, A	-	170	-	200	-	250
35% duty cycle, A	170	-	200	-	250	200 (30%)
60% duty cycle, A	130	98	150	115	190	140
100% duty cycle, A	100	76	120	90	150	110

Usable wire diameters, mm

Mild and stainless steels	0,6 - 0,8	0,6 - 0,8	0,6 - 1,0	0,6 - 0,8	0,6 - 1,2	0,6 - 1,2
Cored wires	0,8	0,8	0,8 - 1,0	0,8	0,8 - 1,2	0,8 - 1,2
Aluminium	1,0	1,0	1,0	1,0	1,0 - 1,2	1,0 - 1,2
Brazing CuSi wires	0,8 - 1,0	0,8 - 1,0	0,8 - 1,0	0,8 - 1,0	0,8 - 1,0	0,8 - 1,0

Delivery includes

Welding torch	MXL™	MXL™	MXL™	MXL™	MXL™	MXL™
Type/cable length	200 / 3,0 m	200 / 3,0 m	200 / 3,0 m	200 / 3,0 m	270 / 3,0 m	270 / 3,0 m
Connection	Euro	Euro	Euro	Euro	Euro	Euro

Mains cable 3m with plug, gas hose 1,5m with clamps and quick connector, earth cable complete, wear parts for 0,6-0,8mm wire (0,8-1,0mm for C250) pre-assembled, safety chain for gas bottle and wheels.

Ordering information

Origo™ Mag C171	0349 311 280
Origo™ Mig C170 3ph	0349 308 670
Origo™ Mag C201	0349 311 290
Origo™ Mig C200 3ph	0349 308 290
Origo™ Mag C251	0349 311 420
Origo™ Mig C250 3ph	0349 307 840

Accessories

Digital V/A instruments kit	0349 302 598
Transformer kit for CO2 preheater (42V – 50/60 Hz)	0349 302 250
Pressure reducer with flux-meter	0000 973 096
Polarity inversion kit (for Origo™ Mig C170)	0349 309 310

MXL™ torches



Technical data	MXL™ 150V	MXL™ 180	MXL™ 200	MXL™ 270
	With fixed connection		With central connector	
CO ₂ , A / duty cycle, %	150 / 35	180 / 35	200 / 35	270 / 35
Ar/CO ₂ , A / duty cycle, %	150 / 35	150 / 35	170 / 35	260 / 35
Wire diameters, mm	0,6 - 0,8	0,6 - 1,0	0,6 - 1,0	0,8 - 1,2

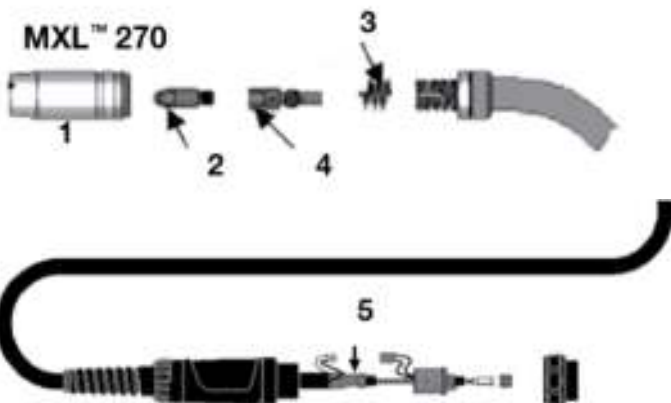
Ordering information – torches and wear parts

Torch with 2,5m cable	0700 200 001	-	-	-
Torch with 3,0m cable	-	0349 483 070	0700 200 002	0700 200 004
Torch with 4,0m cable	-	-	0700 200 003	0700 200 005
Swan neck	0700 200 050	0700 200 051	0700 200 051	0700 200 052
1 - Gas nozzle standard Ø 12mm	0700 200 054	0700 200 054	0700 200 054	-
1 - Gas nozzle standard Ø 15mm	-	-	-	0700 200 055
1 - Gas nozzle straight Ø 16mm	0700 200 057	0700 200 057	0700 200 057	-
1 - Gas nozzle straight Ø 18mm	-	-	-	0700 200 058
1 - Gas nozzle conical Ø 9,5mm	0700 200 060	0700 200 060	0700 200 060	-
1 - Gas nozzle conical Ø 11,5mm	-	-	-	0700 200 061
2 - Contact tip Cu W 0,6 M6	0700 200 063	0700 200 063	0700 200 063	-
2 - Contact tip Cu W 0,8 M6	0700 200 064	0700 200 064	0700 200 064	0700 200 068
2 - Contact tip Cu W 0,9 M6	0700 200 065	0700 200 065	0700 200 065	0700 200 069
2 - Contact tip Cu W 1,0 M6	0700 200 066	0700 200 066	0700 200 066	0700 200 070
2 - Contact tip Cu W 1,2 M6	-	-	-	0700 200 071
3 - Nozzle spring	0700 200 078	0700 200 078	0700 200 078	0700 200 079
4 - Tip adapter M6	0700 200 076	0700 200 072	0700 200 072	0700 200 073
4 - Tip adapter M6 Alu	-	-	-	0700 200 067
5 - Steel liner W0,6-W0,8-2,5m	0700 200 099	-	-	-
5 - Steel liner W0,6-W0,8-3,0m	-	0700 200 085	0700 200 085	0700 200 085
5 - Steel liner W0,6-W0,8-4,0m	-	-	0700 200 086	0700 200 086
5 - Steel liner W0,9-W1,2-3,0m	-	0700 200 087	0700 200 087	0700 200 087
5 - Steel liner W0,9-W1,2-4,0m	-	-	0700 200 088	0700 200 088
5 - PTFE liner W0,6-W0,8-3,0m	-	0700 200 089	0700 200 089	0700 200 089
5 - PTFE liner W0,6-W0,8-4,0m	-	-	0700 200 090	0700 200 090
5 - PTFE liner W0,9-W1,2-3,0m	-	0700 200 091	0700 200 091	0700 200 091
5 - PTFE liner W0,9-W1,2-4,0m	-	-	0700 200 092	0700 200 092

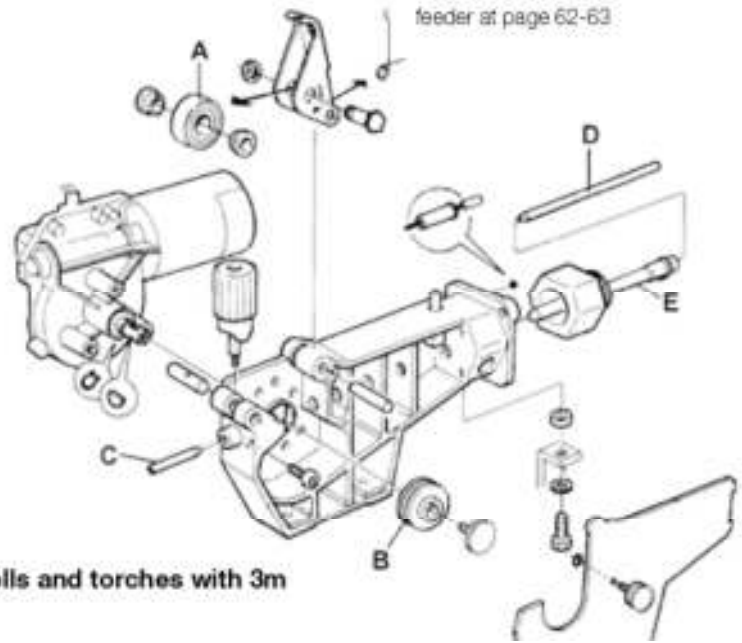
MXL™ 180 / 200



MXL™ 270



Wear and spare parts for wire feeder at page 62-63



Welding with aluminium wires. Use appropriate feeding rolls and torches with 3m cable.